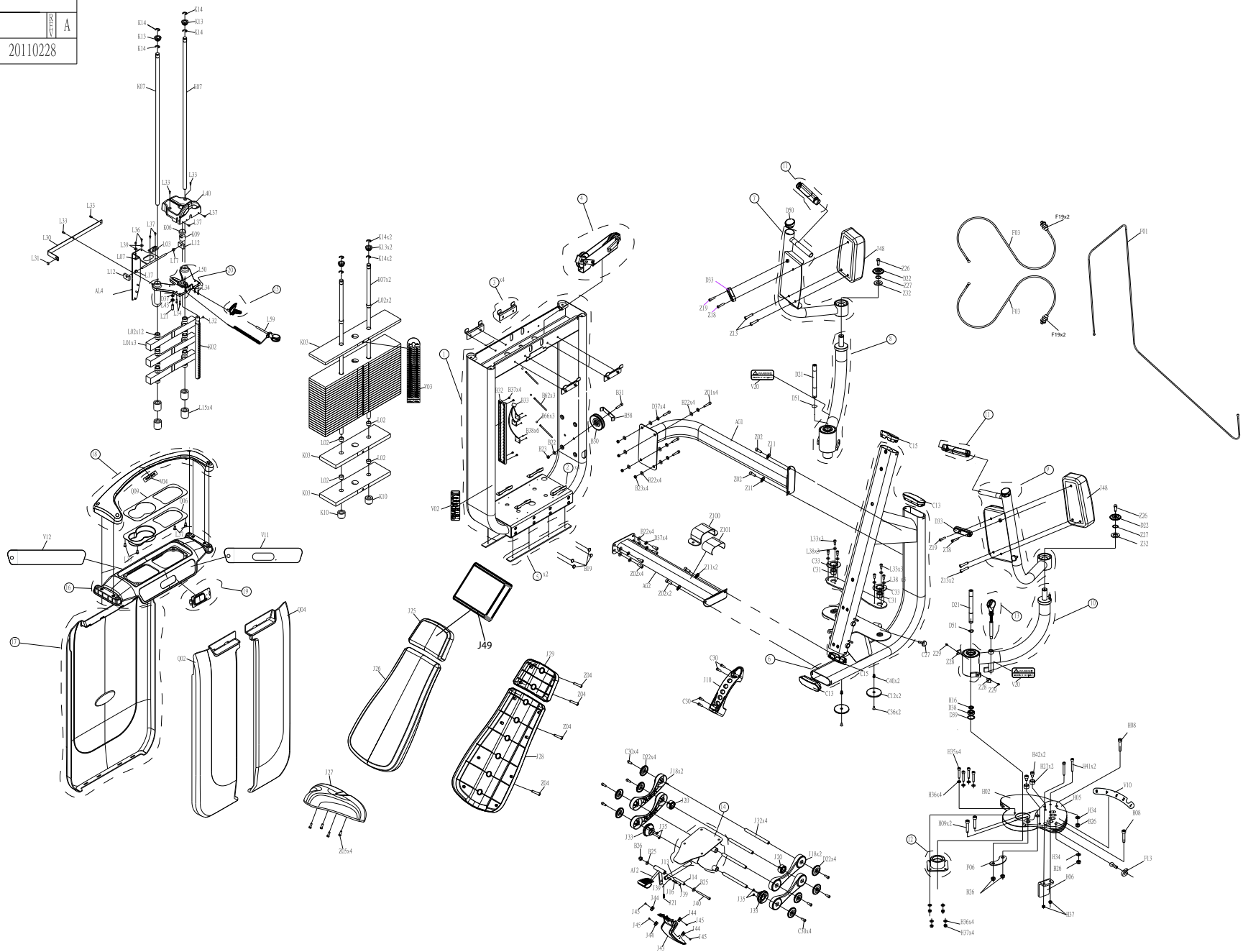
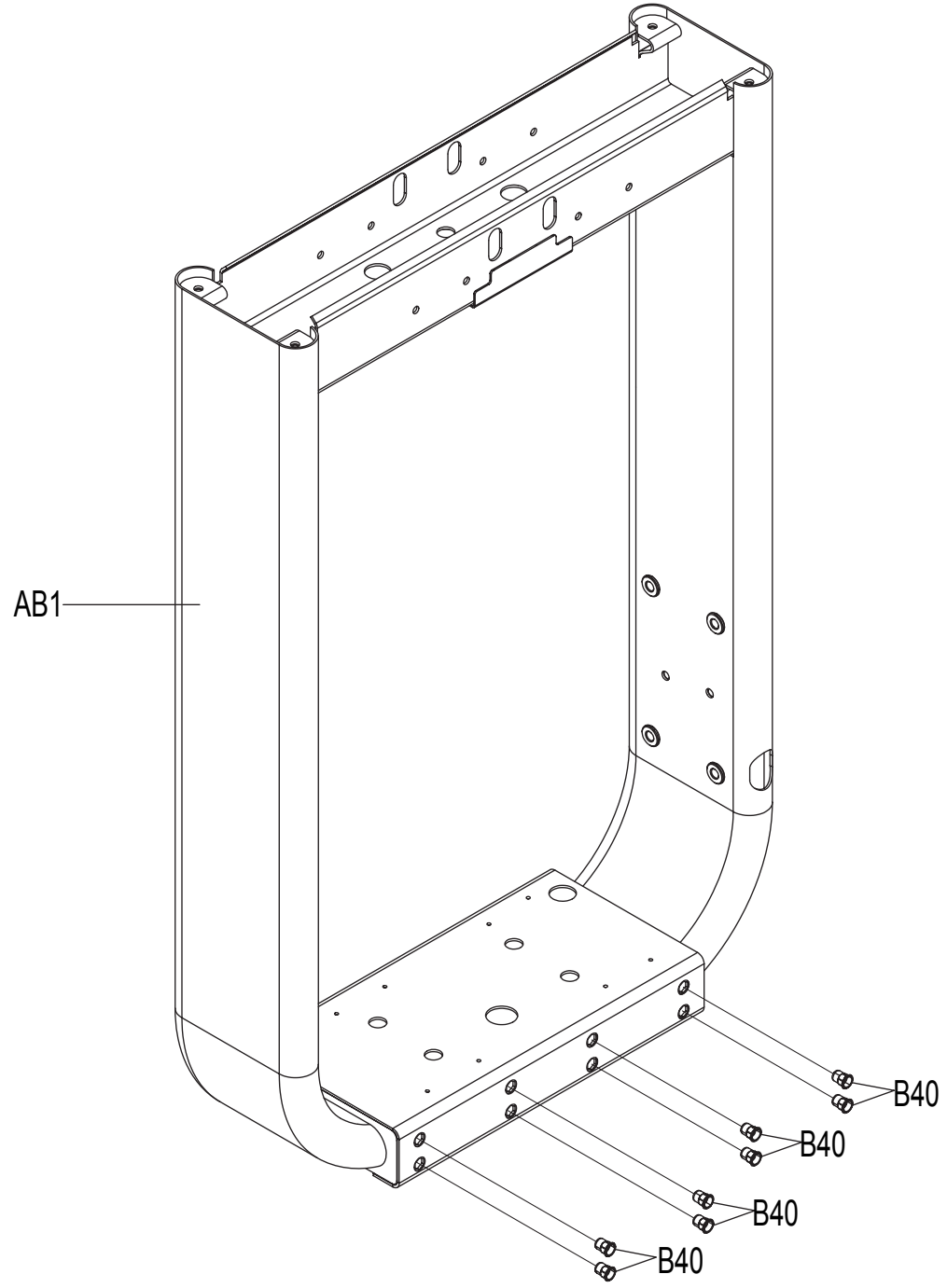


DRAWING NO	GM52-		
PART NAME	KH7S		
PART NO	MCM0346-P	K	A
APPROVE	Cindy ⁰	DATE	20110228

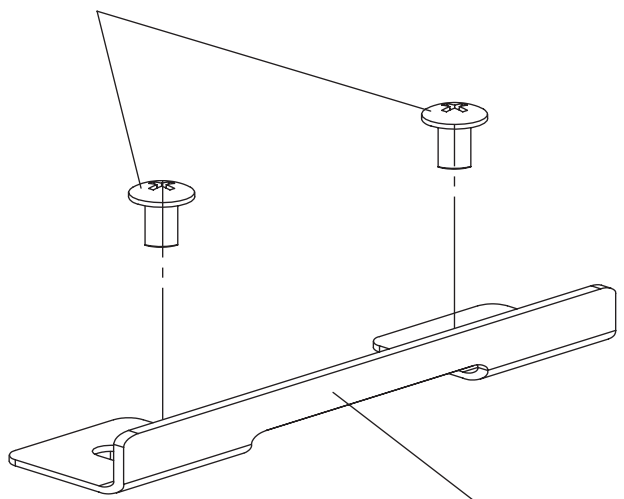


DRAWING NO			
PART NAME	Frame Set		
PART NO	1000106149	REV	A
APPROVE	Cindy	DATE	20110225



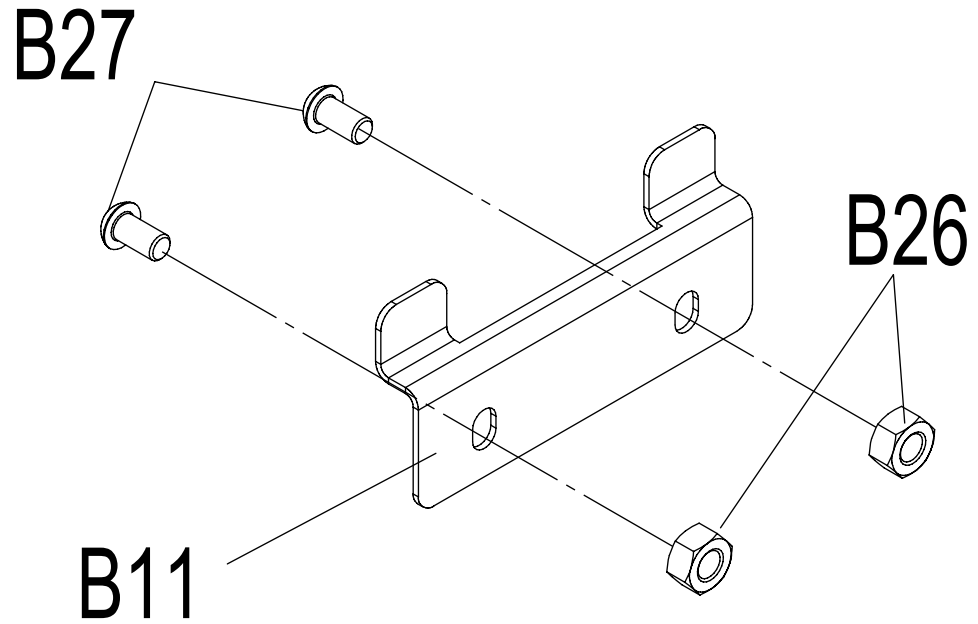
DRAWING NO			
PART NAME	Down Cover;Fixing Frame		
PART NO	1000104014	REV	A
APPROVE	GUIBIN	DATE	20101214

B28

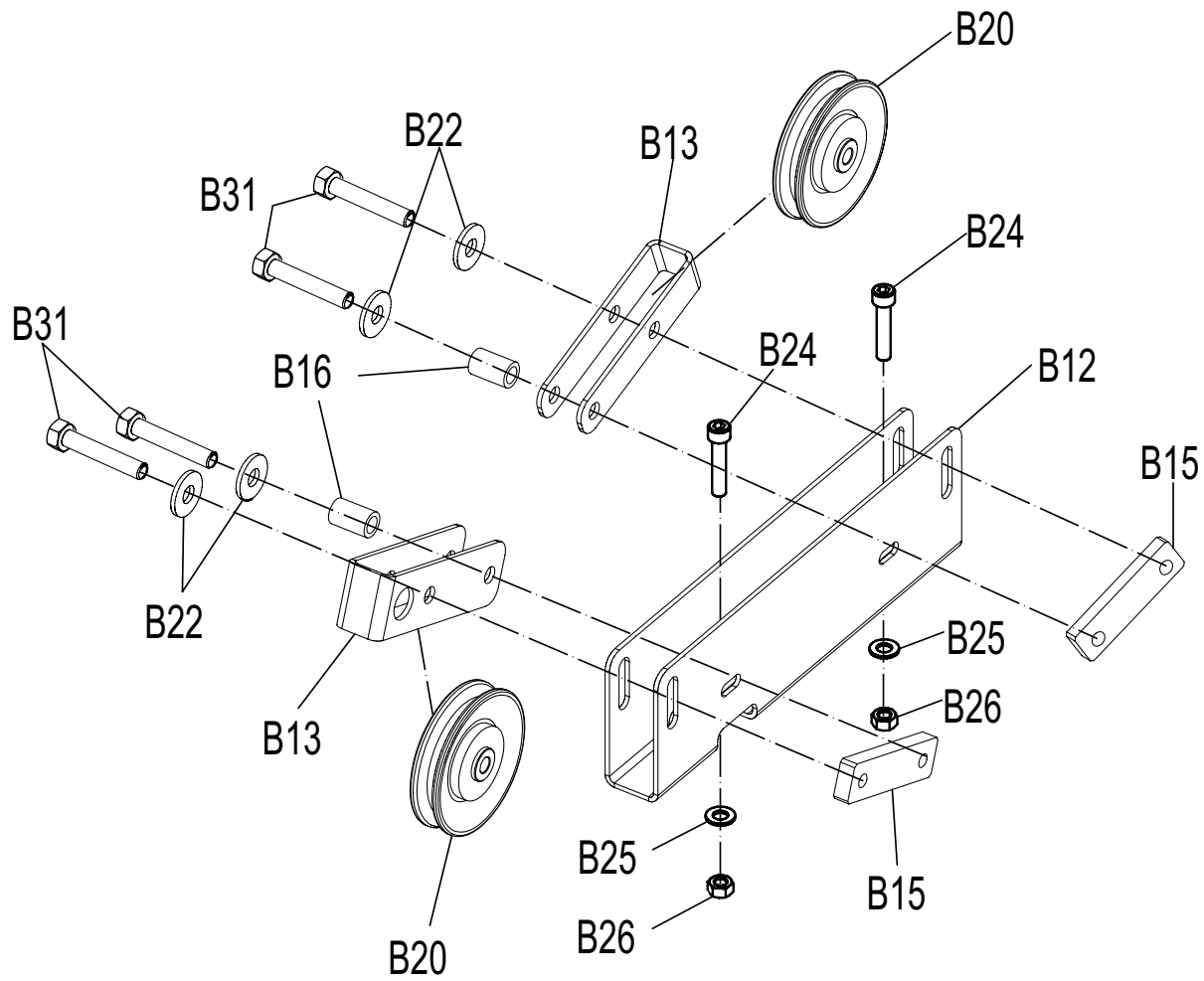


B10

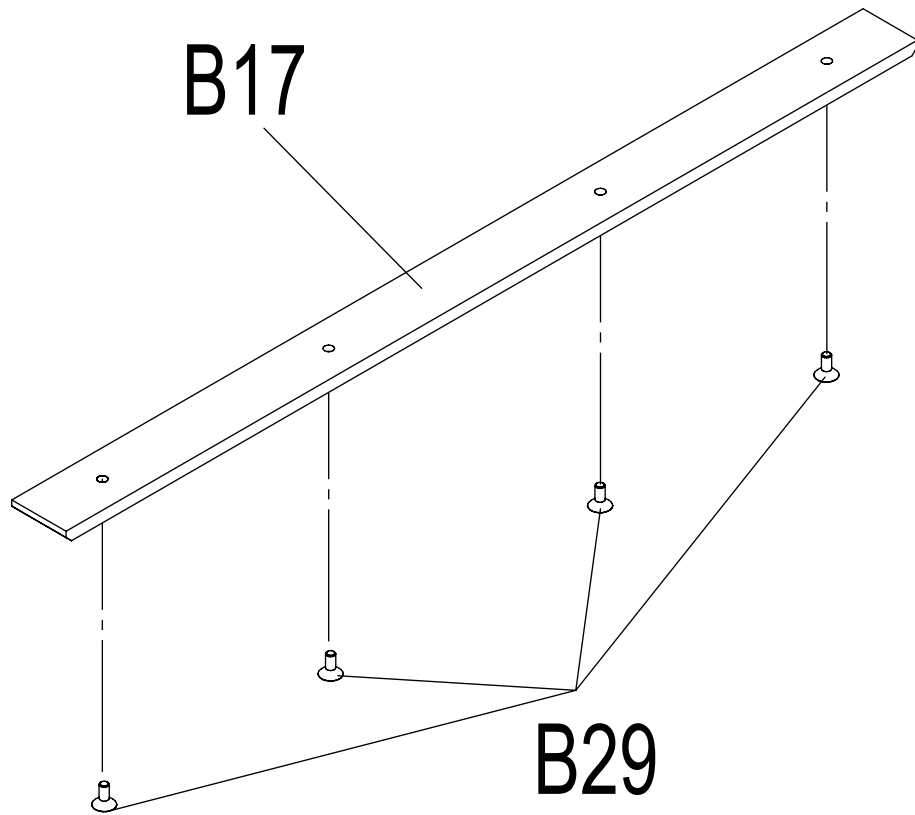
DRAWING NO			
PART NAME	UP Cover;Fixing Frame		
PART NO	1000104015	REV	A
APPROVE	Kevin	DATE	20101214



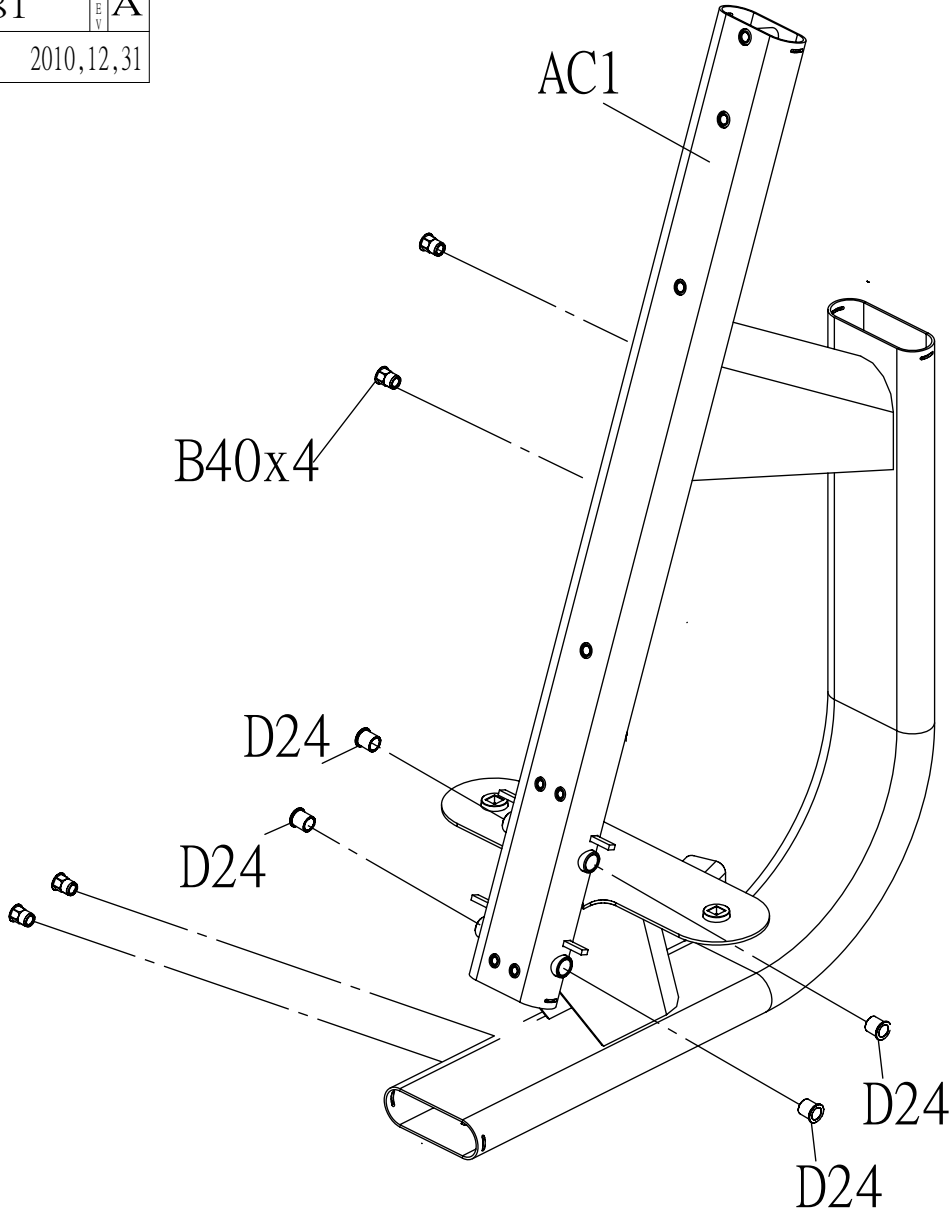
DRAWING NO			
PART NAME	Fixing Base;Slide Pulley		
PART NO	1000108735	REV	A
APPROVE	Kevin	DATE	20101214



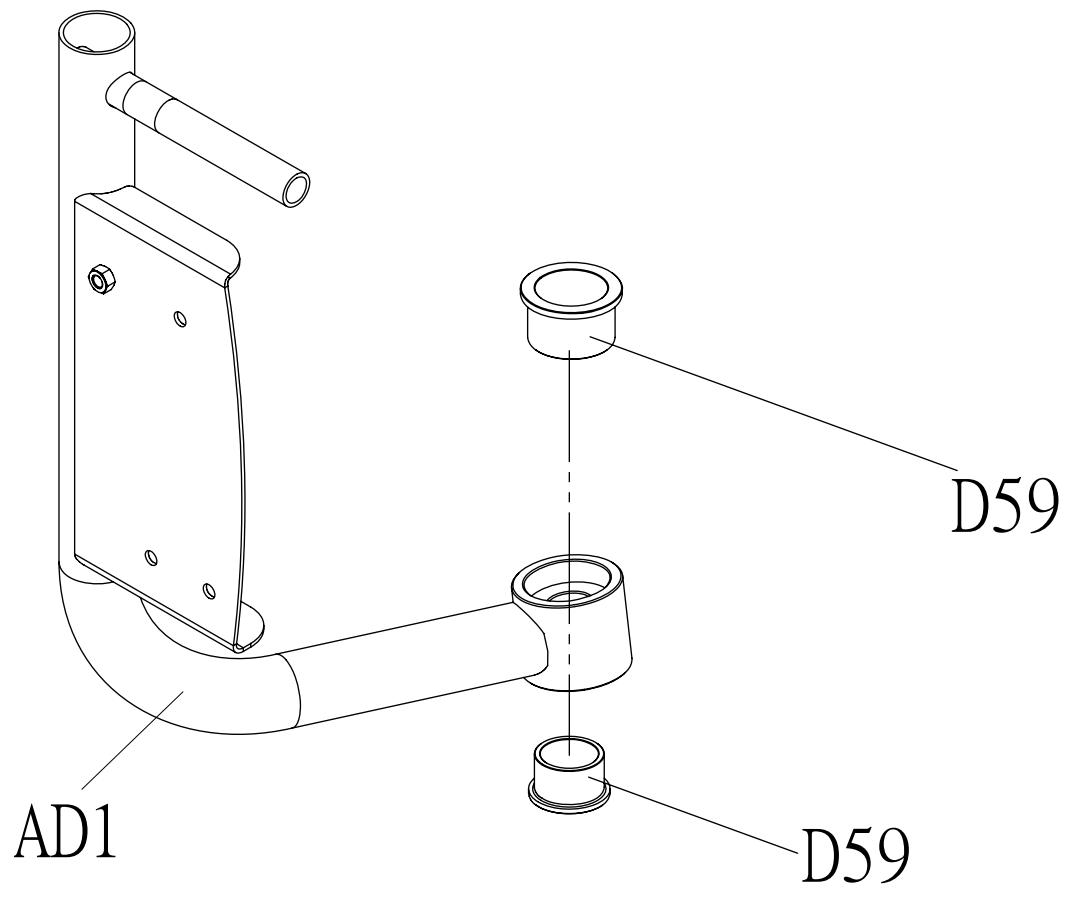
DRAWING NO			
PART NAME	Fixing Plate;D		
PART NO	1000108348	REV	A
APPROVE	GUIBIN	DATE	20101214



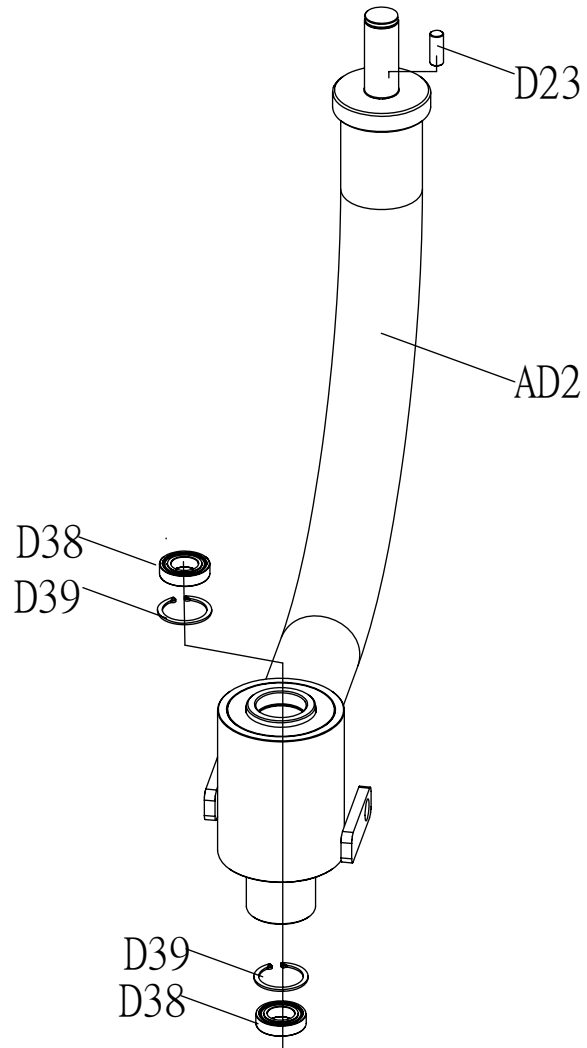
DRAWING NO			
PART NAME	Base Set		
PART NO	1000097681	REV	A
APPROVE	ZHANGWEI	DATE	2010,12,31



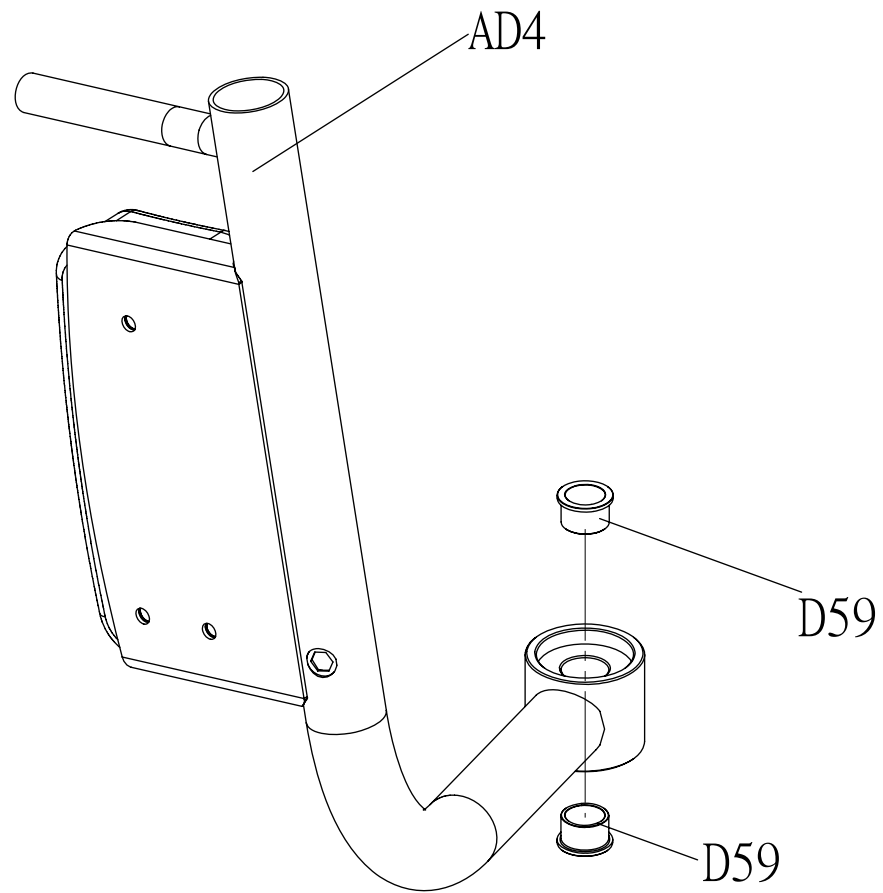
DRAWING NO			
PART NAME	Up Peadal Arm Set R Semi-Assy		
PART NO	1000106157	REV	A
APPROVE	ZHANGWEI	DATE	2010,12,31



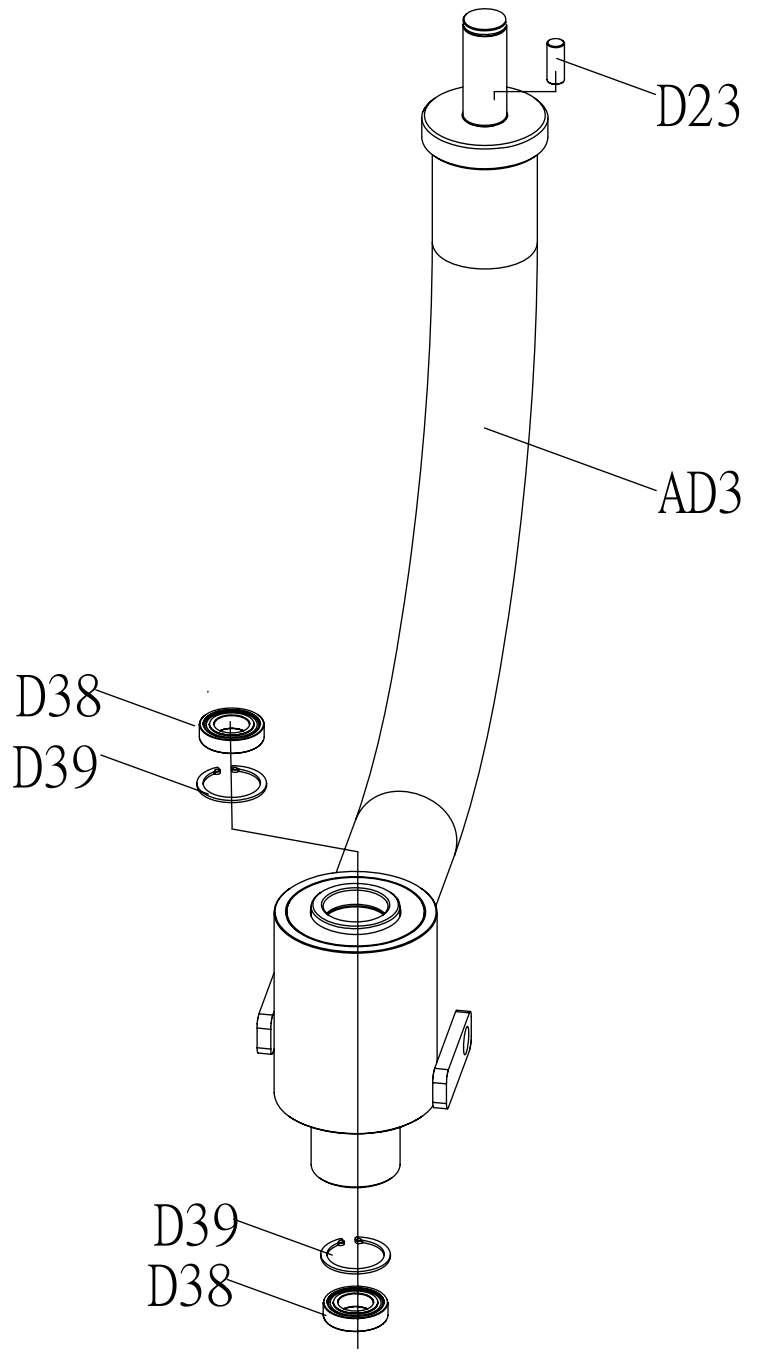
DRAWING NO			
PART NAME	Down Peadal Arm R Set		
PART NO	1000106158	REV	A
APPROVE	ZHANGWEI	DATE	2010,12,31



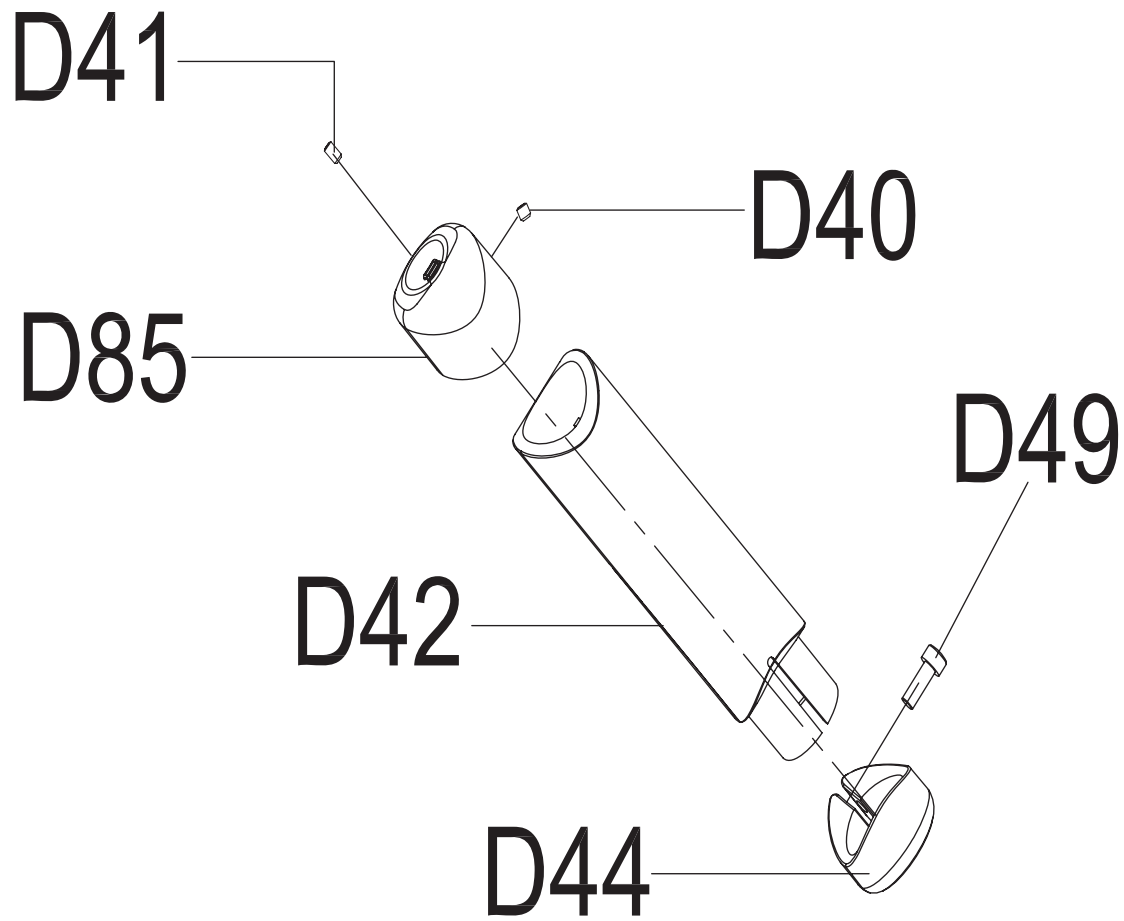
DRAWING NO			
PART NAME	Up Peadal Arm Set L Semi-Assy		
PART NO	1000106159	REV	A
APPROVE	ZHANGWEI	DATE	2010,12,31



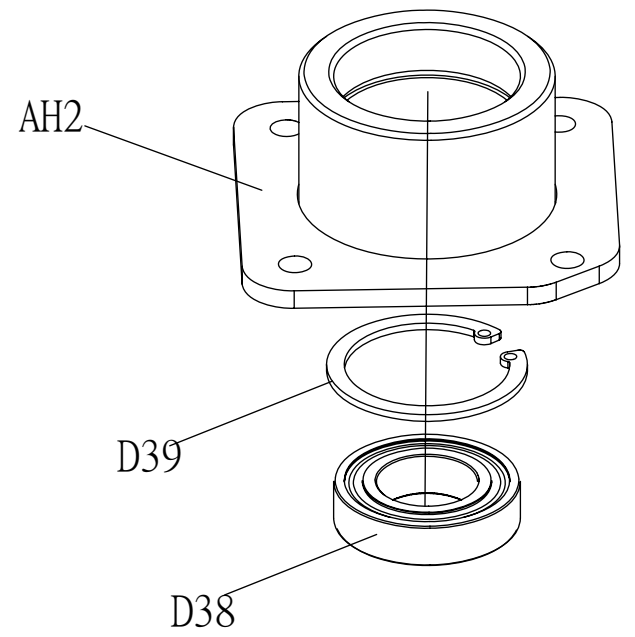
DRAWING NO			
PART NAME	Down Peadal Arm L Set		
PART NO	1000106160	REV	A
APPROVE	ZHANGWEI	DATE	2010,12,31



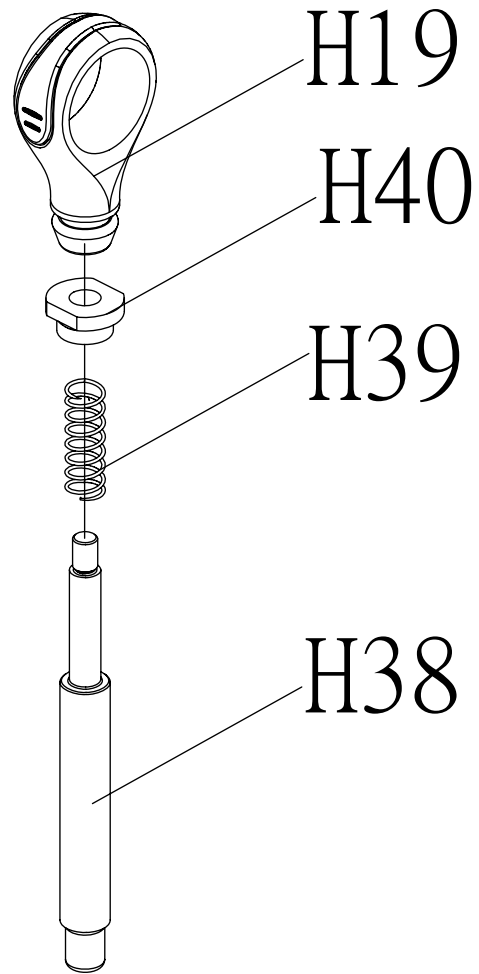
DRAWING NO			
PART NAME	Grip set;Peadal Arm;Over Mold		
PART NO	1000108729	REV	A
APPROVE	Kevin	DATE	20101214



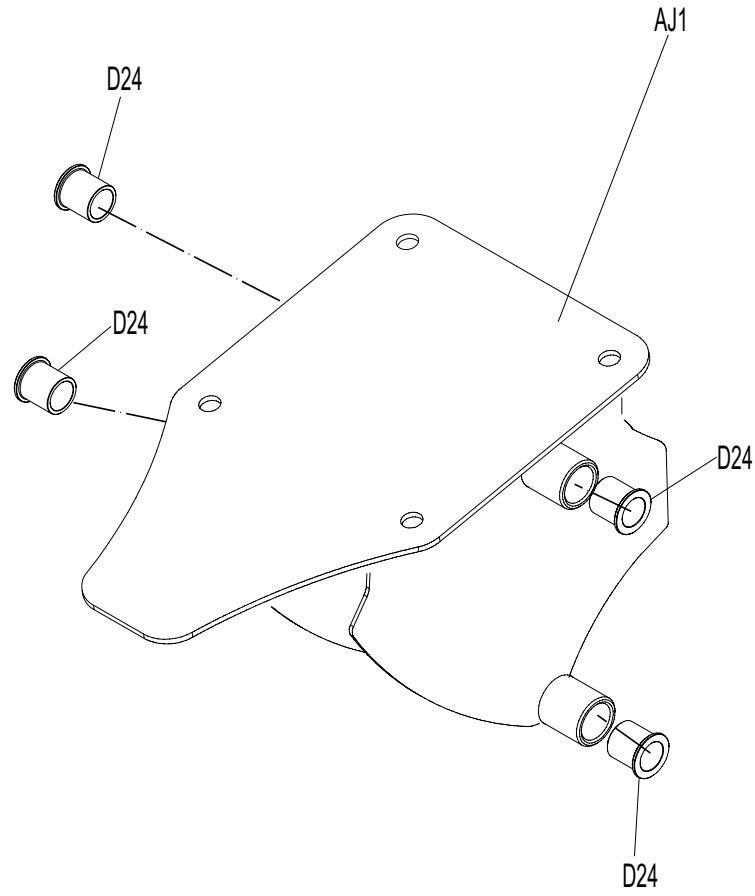
DRAWING NO			
PART NAME	Fixing Plate Set Painting		
PART NO	1000106163	REV	A
APPROVE	ZHANGWEI	DATE	2010,12,31



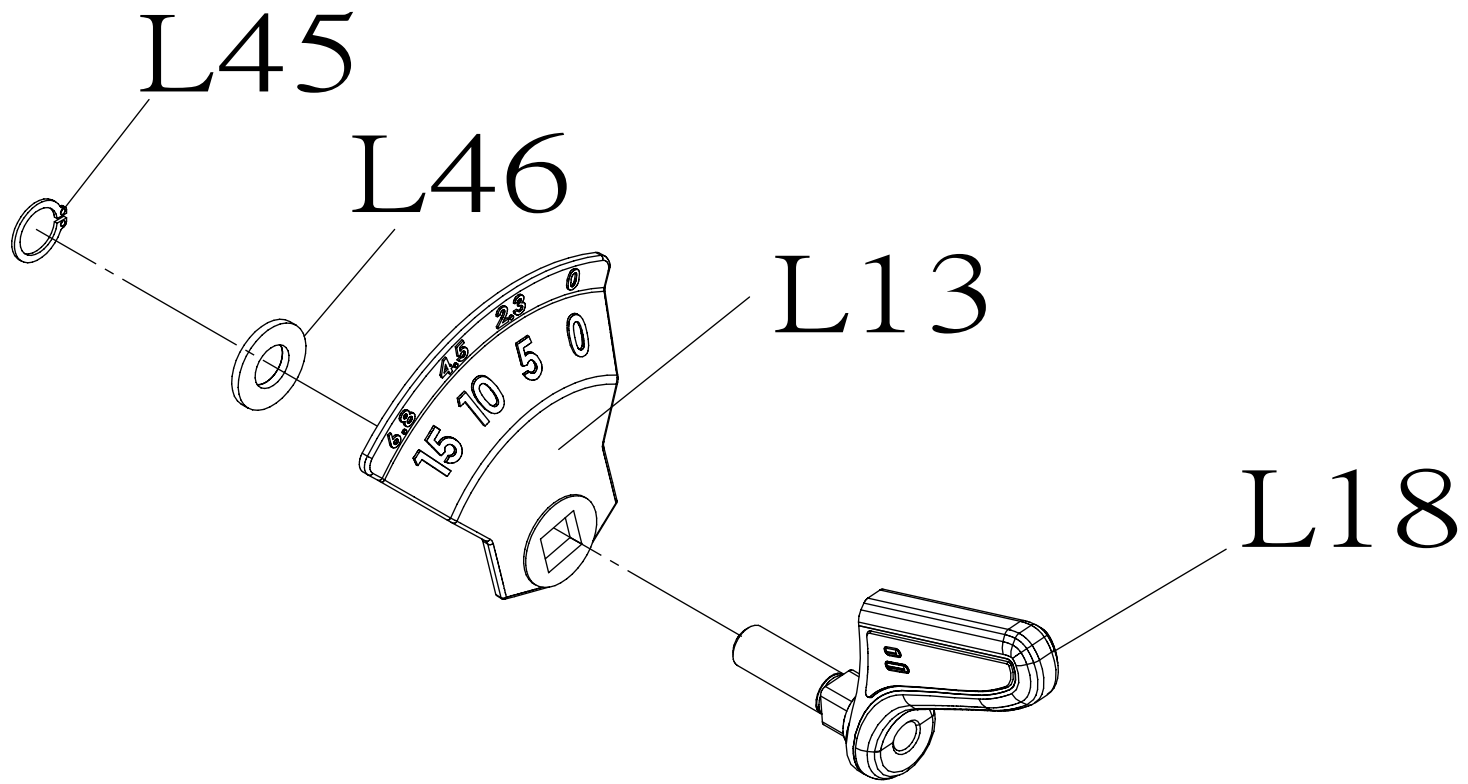
DRAWING NO			
PART NAME	Grip ADJ Semi-Assy		
PART NO	1000106164	REV	A
APPROVE	ZHANGWEI	DATE	2010,12,31



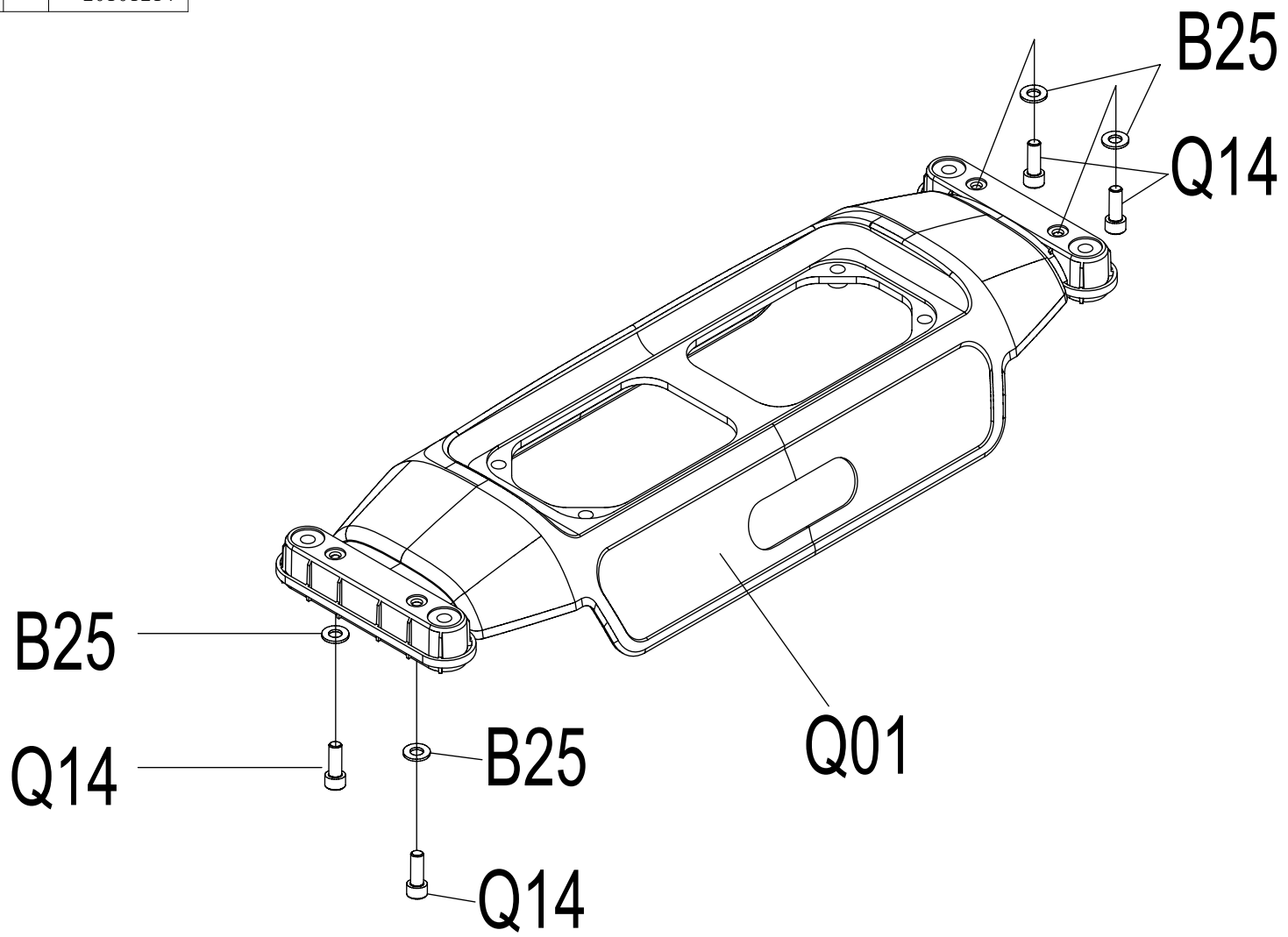
DRAWING NO			
PART NAME	Seat ADJ Set,D;Semi-Assy		
PART NO	1000097565	REV	A
APPROVE	Bonnie	DATE	20101228



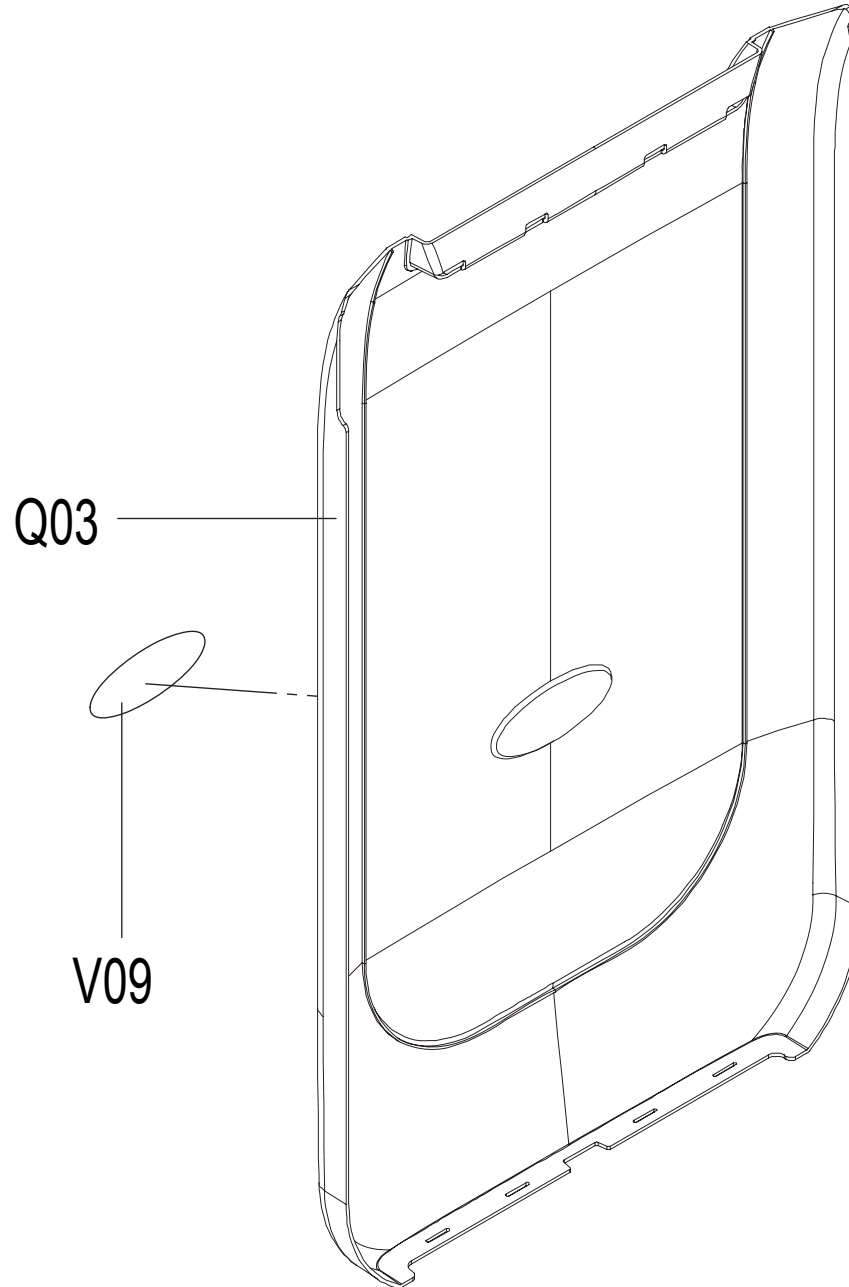
DRAWING NO			
PART NAME	Dial		
PART NO	1000108344	REV	A
APPROVE	Kevin	DATE	20101214



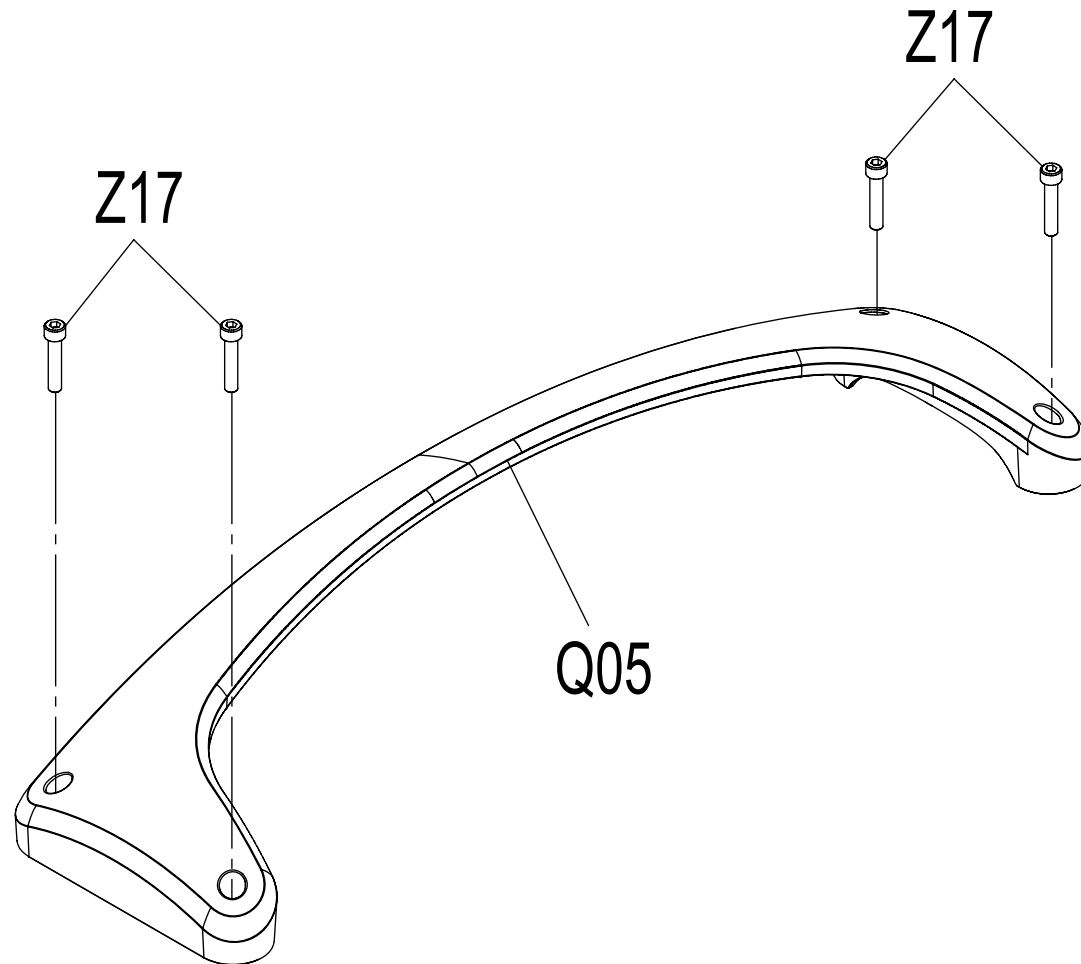
DRAWING NO			
PART NAME	Cover;Up		
PART NO	1000108738	REV	A
APPROVE	GUIBIN	DATE	20101214



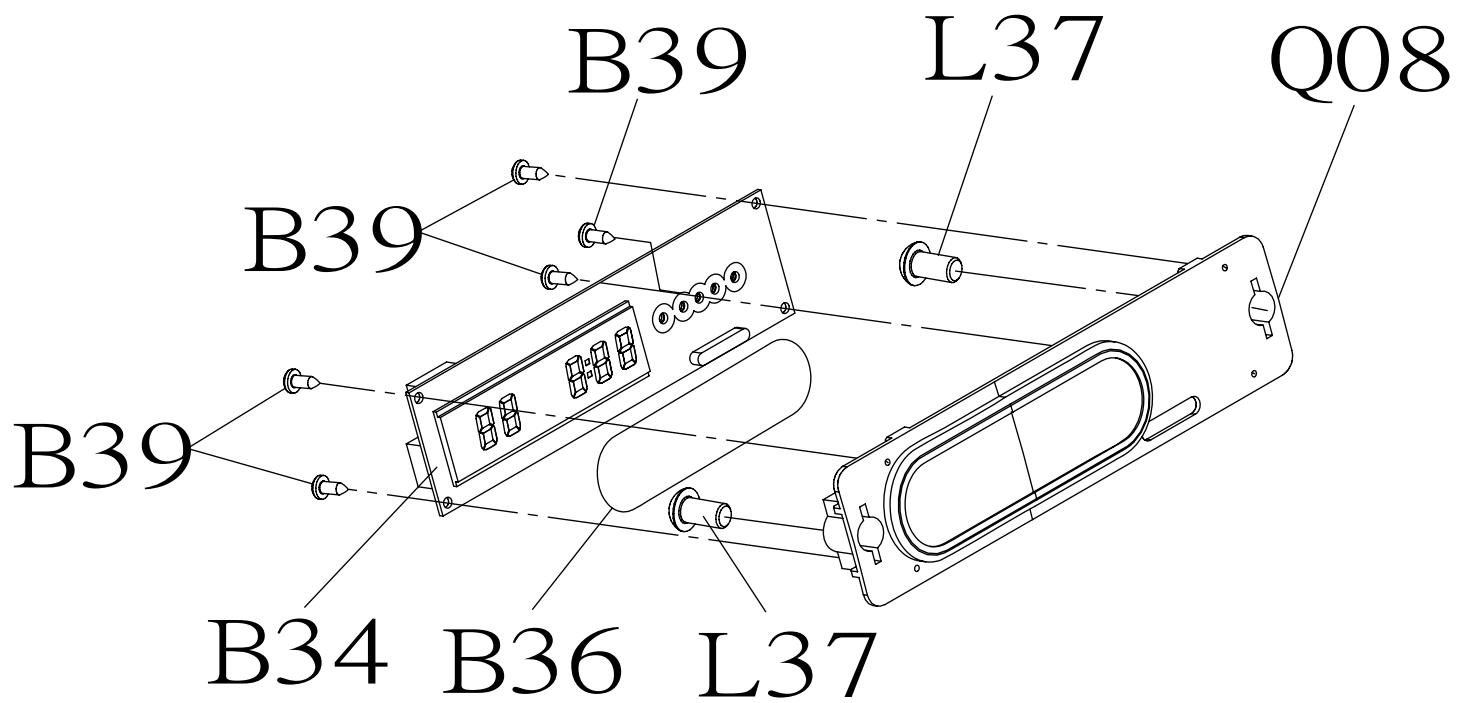
DRAWING NO			
PART NAME	Cover;Rear		
PART NO	1000108343	REV	A
APPROVE	GUIBIN	DATE	20101214



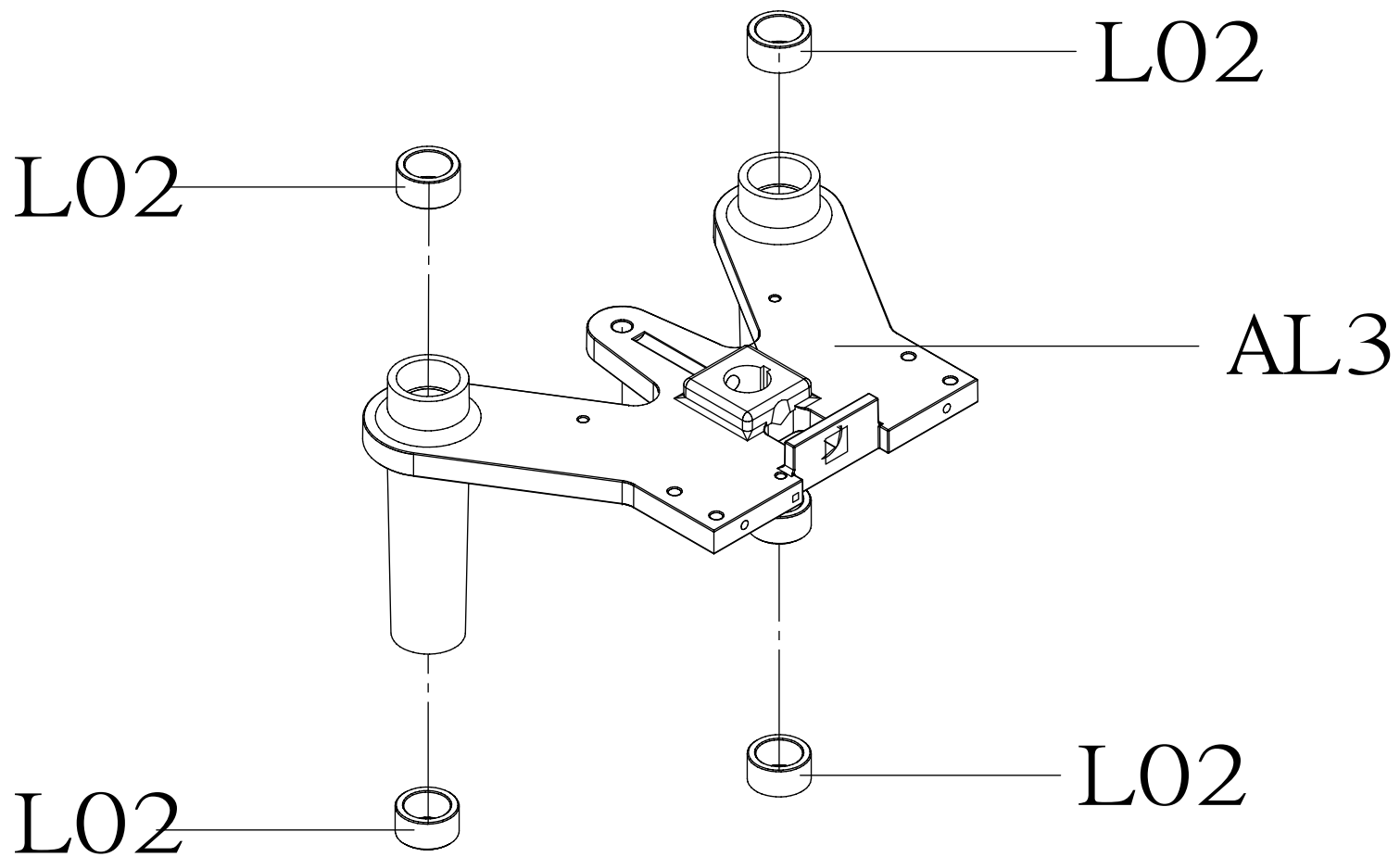
DRAWING NO				
PART NAME	Grip;Up Cover			
PART NO	1000108737	REV	PR	A
APPROVE	GUIBIN	DATE	20101214	



DRAWING NO			
PART NAME	Fixing Base		
PART NO	1000108347	REV	A
APPROVE	GUIBIN	DATE	20101214



DRAWING NO			
PART NAME	Support Base;Incremental Weight		
PART NO	1 000213066	REV	A
APPROVE	Kevin	DATE	20101214



Bubble#	OEM Number	Description	Notes
AG2	1000415405	ConnectingTube Set Frame D Iced Sliver	
AJ01	1000321046	Seat ADJ Set Iced Sliver GM58-KM Serv	
AJ5	1000211102	Seat Grip Set	
AK1	1000092375	Weight Plate 10 P SPHC GM48	
B17	1000334510	Fixing Plate down NBR GM40	
B18	1000399047	Cover Cam TPU	
B21	049249-00	Screw SH M10X1.5PX65L HS CHM	
B22	020465-AB	Washer Flat M10.2X25PX2.0T Chromed	
B23	1000105174	Nut Nylon M10x1.5P G12.9 CHM	
B24	1000417904	Screw Socket Head M4X0.7PX14L-5L Machine	
B25	005145-AC	Washer Flat 8.2x19.0x2.0T Chromed	
B27	004719-AB	Screw BH M8X1.25PX12L HS CHM G12.9	
B28	020185-00	Screw Phillip BH Tapped 4x10L	
B29	004696-AB	Screw TH M8x1.25Px20L Hex Socket Chrom	
B31	1000307173	Plastic Cover Nut	
B41	004549-00	Screw Hex Socket Round M10x1.5Px55L Cr	
B42	1000102859	Screw Hex Socket Round M4x0.7Px10L Cr PI	
B53	020129-AB	Screw Hex Socket Round M10x1.5Px60L Adh	
C19	1000105069	RVN HX NHS-610-3.0 YZN	
C27	1000441318	Cover1 Chest Pad ABS/PA757 Deep Grey Pa	
C32	99030	ADJ Plate Seat ZG20 GM40	
C37	1000408974	Stopper Plate-Extrawork Electroplate 1	
C38	80409	Screw TH M6X1.0PX25L HS	
C44	95638	Foot Pad Adjustable M12X58H 12.9 EP304	
C58	000514-C	Foot pad Tube Rubber GM07	
C60	1000415830	Stopper painting Iced Sliver GM129	
D06	1000415508	Fixing Plate painting Iced Sliver GM1	
D12	84241	Screw Set M6X1.0PX5L BP POT	
D15	009371-E	Cap Grip GM03	
D17	004790-AB	Screw BH M6X1.0PX20L HS CHM	
D18	1000201208	Plastic Cover ABS OR GM46	

Bubble#	OEM Number	Description	Notes
D23	1000407607	Cap TPU GM114	
D26	1000409138	Stopper Sleeve PU ?25x26L	
D27	009356-B	Stopper Mast Foam AL6061 GM03	
D29	1000216133	BALANCE PLATE - 10.4KG - - HT200	
D32	001528-B	Stopper Bolt Pedal Arm Rubber	
D34	1000102903	Washer Flat 6.4x12x1.6t Cr Plate	
D36	1000102905	Washer Flat 8.4x24x2.0t Cr Plate	
D37	004793-00	Screw Button Head M10X1.5PX15L Hex Sock	
D39	055200-AB	Screw Hex M10X1.5PX25L HE CHM	
D40	1000402051	Stopper Plate Cam Stopper PA66 GM124	
D49	1000108801	Screw RND M5x0.8Px15L HS CHM BP G8.8	
F11	1000397609	Pulley NYLON 66+G30%(Anti-fire) Black	
F12	1000402853	Steel Rope-Extrawork Press Rope Hand D	
F13	1000402852	Steel Rope-Extrawork frame Press Rope H	
F14	1000212388	Fixing Plate Cable Head- 45# BED GM40	
F32	1000409299	Screw Flat Head M4x0.7P-30L Hex Socket	
F33	004881-00	NUT HX M4X0.7P SS41 BZN	
G15	1000334511	Rubber Foot Pad Base NBR GM40	
G16	1000334512	Rubber Foot Pad Pedal Tube NBR GM42	
G17	1000319422	Frame Fix Plate painting Iced Sliver	
G18	1000096017	Rubber Pad Fixing GM40	
G36	1000413637	Fixing Plate CON Tube Iced Sliver GM1	
J13	99035	Axle Pull Pin 42CrMo GM40	
J14	99036	Axle Sleeve Pull Pin 42CrMo GM40	
J15	1000113095	Cover Seat Chair GM59	
J16	1000200876	Screw Round M8x1.25Px25L Hex Socket G12.	
J17	1000098050	Pulley Cover Small Base ABS GM40	
J21	98972	Spring EXT SWP ZNC GM40	
J32	96046	Axle CON Rod 45# GM40	
J33	1000097385	Stopper Sleeve CON Rod Axle ABS GM40	

Bubble#	OEM Number	Description	Notes
J35	96216	Stopper Sleeve WASHER GM40	
J39	004924-AB	NUT NLK M5X0.8P CHM	
J40	1000097850	SCREW SH M8X1.25PX95L HS CHM G12.9	
J41	004929-00	Nut Nylon M8x1.25P Chromed	
J42	005130-00	Washer Flat 8.4x15.5x1.6T Chromed	
J43	1000103444	Cover Seat GM40-KM	
J44	005330-00	Tinnamen Nut	
J45	004636-AD	Screw BH 4X15L SM PH CHM POT	
J46	1000097206	Screw SH M8X1.25PX25L HS CHM BP	
J71	1000098051	Bearing Cover Base ABS GM40	
K01	1000200981	Guide Rod Weight plate	
K07	1000202352	Cushion Guide Rod	
K09	1000102915	Circlip E Type E-15 Cr Plate	
K10	019151-AA	Rubber Bumper Weight Stack	
K62	1000406464	Socket Power Switch PA66+G20% 110x58x1	
L37	1000104672	Screw BH M5x0.8Px10L HS CST CST CST CHM	
Q01	1000397599	Stopper Plate Steel Rope PA66+GF30% 13	
Q02	98985	Cover Left-Fron limpud ABS GM40	
Q04	98988	Cover Right-Front ABS/PA757 Limpud GM4	
Q08	1000096024	Fixing Base PC GM40	
Q14	1000108805	Screw RND M8x1.25Px20L HS CHM BP G12.9	
Q35	1000407026	Stopper Plate Steel Rope 2 PA66+GF30% 9	
Q90	029526-A	SCREW BH ?X3X19L SM PH POT	
Q93	1000397883	Cover back ABS/PA757 Limpud 1104.8x648.	
Q96	1000397915	Kettle Plate mid TPU 426C/80393 113.0x7	
Q97	1000397914	Kettle Plate right ABS 252.6x121.0x16.	
Q98	1000397910	Kettle Plate left ABS 252.6x121.0x16.0	
Q99	1000397869	Cover up ABS/PA757 Deep Grey 740.0x173.	
V02	1000363760	Warning Label Frame PC English GM40	
V02	1000363766	Warning Label Frame PC French GM40	

Bubble#	OEM Number	Description	Notes
V03	1000411786	Spec Label Weight Plate 10LBS PC GM11	
V10	006078-00	Decal Grounding TM08	
V11	1000402505	Instructional Labe Front English GM1	
V11	1000418702	Instructional Labe Cover PC Front Fren	
V12	1000412461	Instructional Labe Rear English GM12	
V12	1000418715	Instructional Labe Cover PC Rear Frenc	
V16	1000411812	Direction Label Incremental Weight Plate	
V20	1000109127	Decal Pinch Point MS21KM-G3	
Z01	70970	Screw SH M10X1.5PX80L HS CHM	
Z04	005017-00	Washer Spring SW10 10.2X18.4X2.5T Chromed	
Z05	008523-B	Washer Arc M10x28x10.5T SS41	
Z07	055200-AB	Screw Hex M10X1.5PX25L HE CHM	
Z09	1000108924	Screw RND M10x1.5Px20L HS CHM BP G8.8	
Z10	92924	Screw Hex Scoket Round M8x1.25Px10L Cr A	
Z13	1000346841	Stopper Plate Bearing SPHC ?35.0x5.0T	
Z17	020081-00	Screw SH M8X1.25PX60L HS G12.9	
Z19	020294-00	SCREW BH M10X1.5PX20L HS CHM	
Z22	020465-AB	Washer Flat M10.2X25PX2.0T Chromed	
Z28	005009-AB	Washer Spring SW8 8.2x15.4x2T Zinc Plating	
Z37	020112-A	Screw Hex Socket Round M10x1.5Px50L(Tooth15)	
Z38	1000397921	Screw Socket Head M10X1.5PX180L-35L Hex	
Z44	1000108793	Screw RND M5x0.8Px10L HS CHM BP G8.8	
Z45	005079-00	Washer Flat 5.2X12X1.0T Black Zinc	
AB1	1000415474	Frame Set painting Iced Sliver GM129	
AC11	1000415481	User frame set Semi-Assy Iced Sliver	
AD11	1000415494	Pedal Arm set Semi-Assy Iced Sliver G	
AD21	1000415515	Pedal Arm set Semi-Assy Iced Sliver G	
AD41	1000458117	Handle set Semi-Assy Iced Sliver GM22	
AG1	1000415816	ConnectingTube Set U Iced Sliver GM12	
AJ2	1000453569	Connect Mast Seat L painting Black Matt	

Bubble#	OEM Number	Description	Notes
AJ3	1000453580	Connect Mast Seat RU painting Black Mat	
AJ4	1000453584	Connect Mast Seat RD painting Black Mat	
AL4	1000453508	Up Weight Plate Set Assembly GM220	
B11	1000412847	Fixing Rack BRACKET COVER U Painting MA	
B13	1000407390	Support Board Cover Reat-Up Black Matt	
B14	1000397596	Fixing Rack Cover D painting Mat Bck	
B36	1000411804	Aperture Label Console Cover PC SSA	
B44	1000397610	Fix Base Pulley painting Mat Black GM1	
C41	1000453566	Rubber Pad Pedal NBR Black GM211	
D11	1000454297	Foam F24x5.0tx125L GM213	
F22	1000415823	Fixing Plate Pulley M painting Iced Sli	
J20	1000453613	Air Stick 30KG F22x275L GM211	
J22	See Pad Matrix	Chest Pad Vesicant/No Leather PAHs GM4	
J27	See Pad Matrix	Seat Pad Set GM40-KM	
L59	1000452420	Pull Pin Set Frame GM214	
Not Shown	1000402183	Hardware Set GM129-KM	
Q26	1000432146	Plug PP slate black MS53	
Q94	1000455407	Cover up ABS/PA757 slate black GM211	
V06	1000454301	Direction Label Seat ADJ Tube 42X19mm P	
V13	1000454302	Direction Label Seat ADJ Tube 42X19mm P	
B25	005040-AB	Washer Flat 8.4X15.5X1.6T	Discontinued
Z28	005009-00	Washer Spring 8.2X15.4X2.0T Chromed	Discontinued